

ELLISON SMART TOILET



Product Manual

ELLISON Smart Toilet
Model: GBWB800



Thank you for choosing this PEARL® product! Please read this product manual completely before installing and using your new product. This will ensure that your new product functions optimally after installation. Read this manual thoroughly and store in a safe place for future reference.

lifewithpearl.com

IMPORTANT SAFETY PRECAUTIONS

Safety precautions should always be followed when using electrical products, particularly when children are present. Please follow the safety recommendations outlined below:

READ ALL INSTRUCTIONS BEFORE USING

WARNING - Follow all instructions to reduce the risk of burns, electrocution, fire and injury to users.

1. Usage of this product by children or handicapped individuals must be closely supervised.
2. Only use this product in the manner described in this manual. Do not use the product in unintended ways, and do not use any attachments that are not recommended by the manufacturer.
3. If the cord or plug are damaged, do not use the product. Turn off the power source and disconnect the power plug. Contact product support for further assistance.
4. Keep the cord away from heated surfaces.
5. Any air vents must be kept clear at all times. Never install or place this product on a soft surface (e.g. a bed or couch). Air vents must be cleared of all lint, hair, and any other debris.
6. Never use this product while drowsy or impaired.
7. Do not use outdoors.
8. Do not use near any oxygen supplying devices or aerosols .
9. This product must be plugged into a reliably grounded outlet, failure to do so may result in electric shock. This product is equipped with a cord having a grounding wire for use with a grounding plug.

SAVE THESE INSTRUCTIONS

GROUNDING INSTRUCTIONS

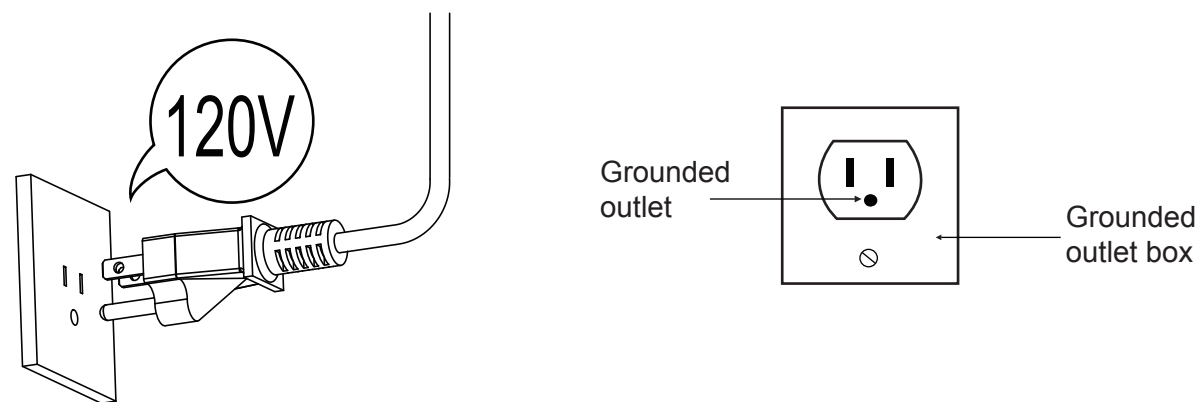
This product must be grounded. In the event of electrical short circuit, a grounded product reduces the risk of electric shock. This product is equipped with a cord having a grounded wire with a grounded plug.

This product is for use on a nominal 120 V circuit, and has a grounded plug that looks like the electrical plug illustrated below.

DANGER— Improper use of the grounding plug can result in a risk of electric shock. If repair or replacement of the cord or plug is necessary, consult a licensed electrician to ensure proper grounding. The wire insulated in green, or green with yellow stripes, is the grounding wire.

Check with a qualified electrician or serviceman if the grounding instructions are not completely understood, or if in doubt as to whether the product is properly grounded. This product is factory equipped with a specific electric cord and plug to permit connection to a proper electric circuit. Make sure that the product is connected to an outlet having the same configuration as the plug. No adapter should be used with this product. Do not modify the plug provided — If the provided power plug does not fit your existing outlet, any required outlet replacements should only be made by a licensed electrician. If the product must be reconnected for use on a different type of electric circuit, the reconnection should be made by qualified service personnel. If it is necessary to use an extension cord, use only an extension cord that has a 3 prong grounding plug and 3 prong receptacle. Replace or repair any power cord or power plug if they are damaged.

Grounding Methods



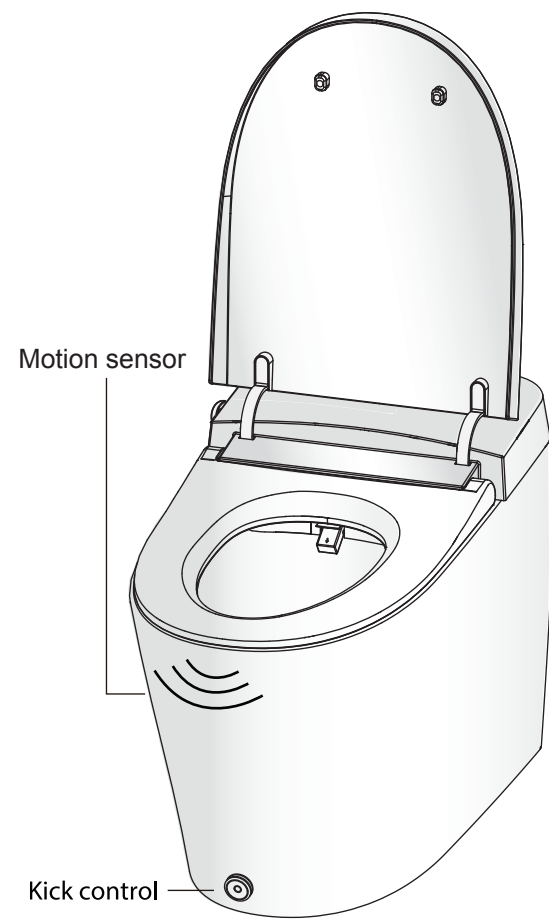
*** WARNING: Risk of electric shock - Connect only to a circuit that is protected by a ground - fault circuit - interrupter (GFCI).**

The functions may vary from different part no.

Features	Part no.	
	Functions	GBWB800
Remote	Remote Control	●
Cleaning	Limitless Wash	●
	Posterior Wash	●
	Front Wash	●
	Aerated Wash	●
	Auto Wash	●
	Oscillating	●
	Cold/Warm Massage	●
	Water Pressure Adjustment	●
	Water Temp Adjustment	●
	Water Position Adjustment	●
	Self-Cleaning Nozzle	●
	Nozzle Sterilization	●
Comfort	Heated Seat	●
	Warm Air Dryer	●
	Deodorization	●
	Automated Lid	●
	Kick Controlled Seat/Lid	●
	Auto Open/Close Sensor	●
	Soft-Closing Lid/Seat	●
	Seat Temp.Adjustment	●
Dryer Temp.Adjustment	●	
Convenience	Night Light	●
	Instant Heating	●
	Remote Control Flush	●
	Auto Flush	●
	Dryer Flush	●
	Kick Flush	●
	Occupied Sensor	●
Safety	Air Segregation	●
	Anti-Backflow	●
	Easy to Clean Glaze	●
	Side Control Knob	●
	Nano Anti-Bacterial	●

User Friendly Design

Kick control, Motion sensor,
New features designed for your comfort!



Rotating Settings Dial
(Refer to page 13)

Kick open lid

Hands off design
Foot-touch control

Motion sensor

Auto open lid/seat
when user approaches

Contents

Parts Information	1
Overview	1
Remote Control	2
Design Overview	2
Safety Information	3
Warnings	4
Attention	6

Before use

Installation	7
Before you Install	8
Installing Your Product	9
Function Explanations	13
Maintenance	16
Surface Cleaning	16
Filter Maintenance	16
Nozzle Maintenance	17

Functions

Troubleshooting	18
Power button	18
Wash functions	18
Dryer	19
Heated Seat	19
Remote Control	19
Toilet Unit	19
Soft-Closing Feature	19
Specifications	20

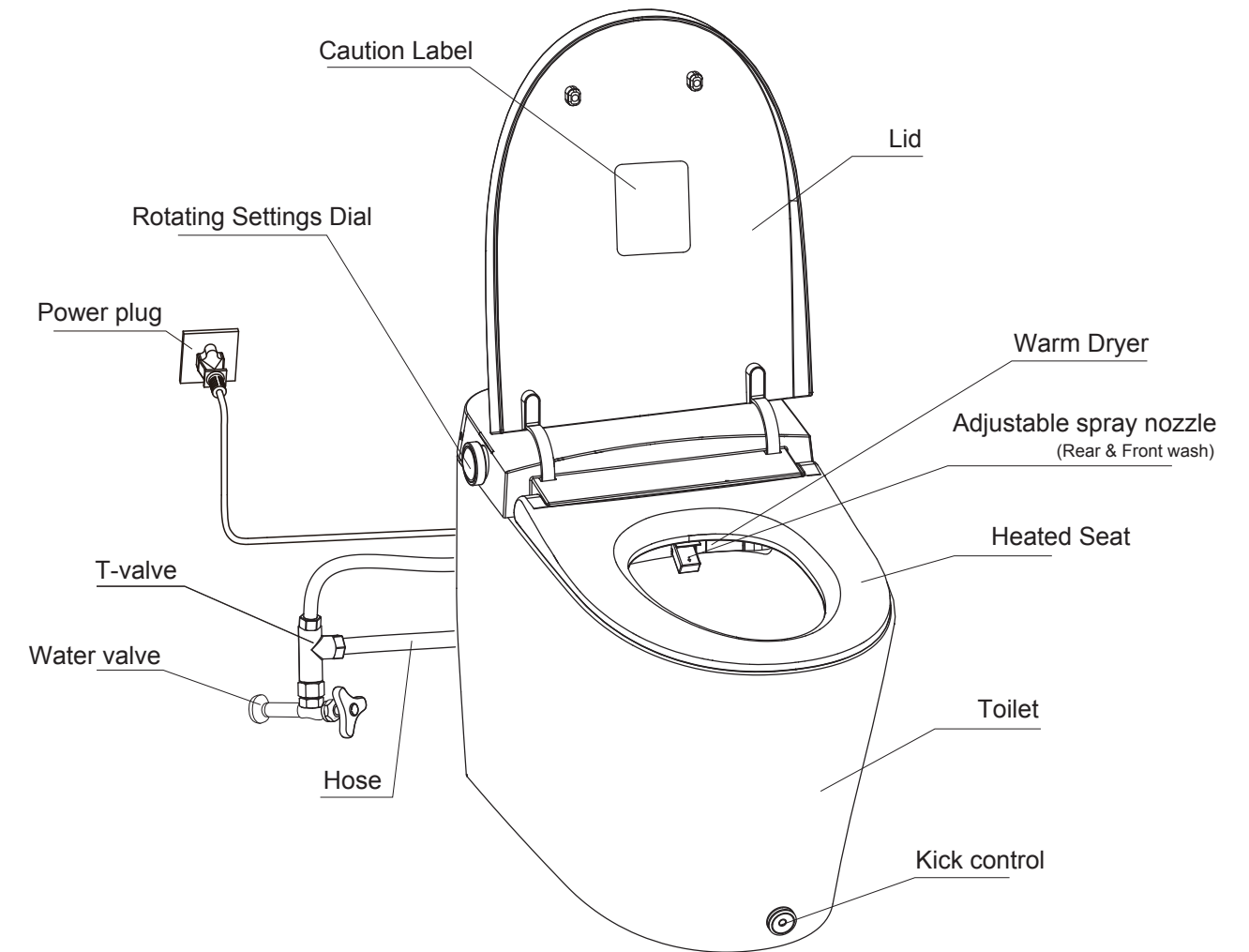
Troubleshooting

Smart Toilet

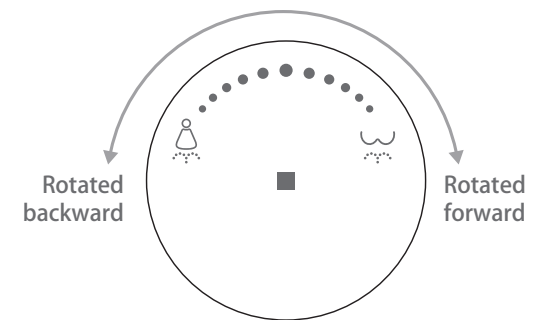
Parts Information

Overview, Sideview, Remote controller

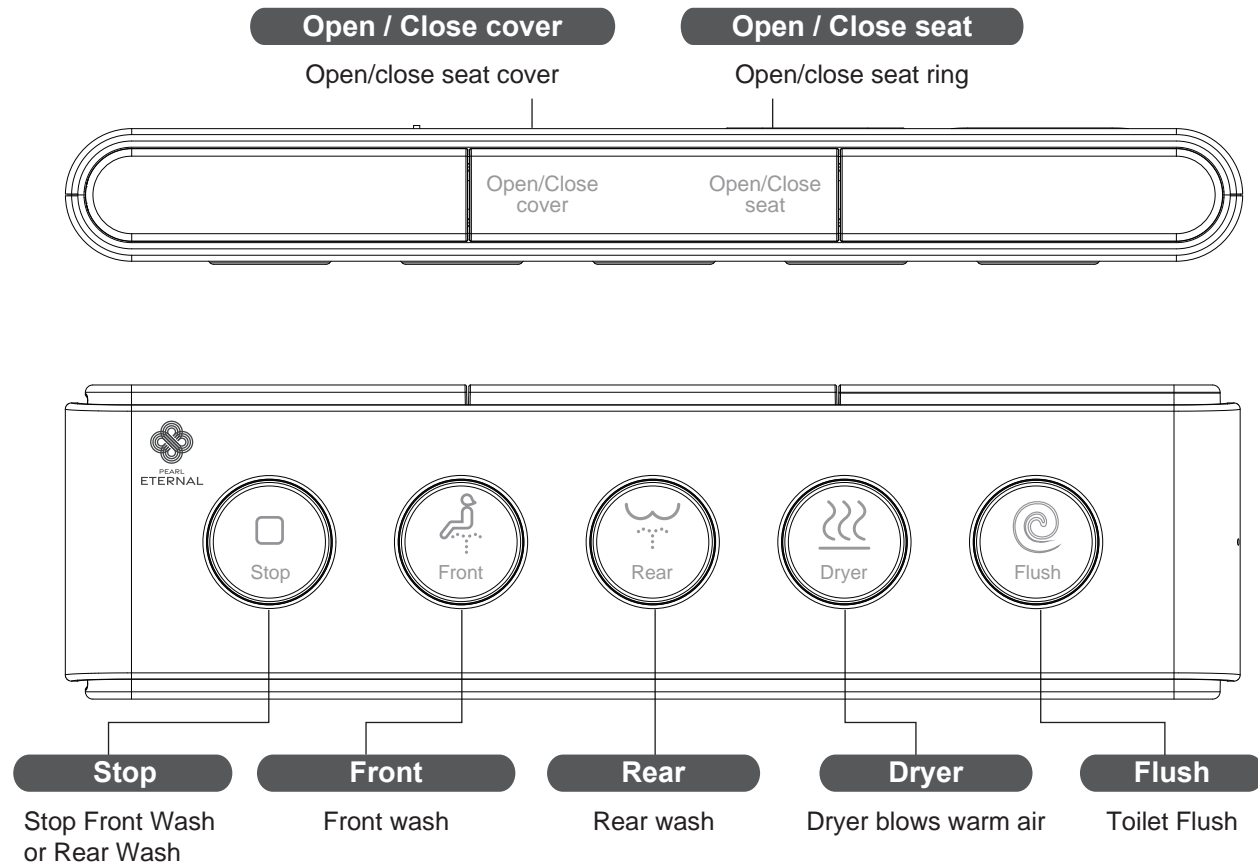
Overview



Rotating Settings Dial



Remote Controller



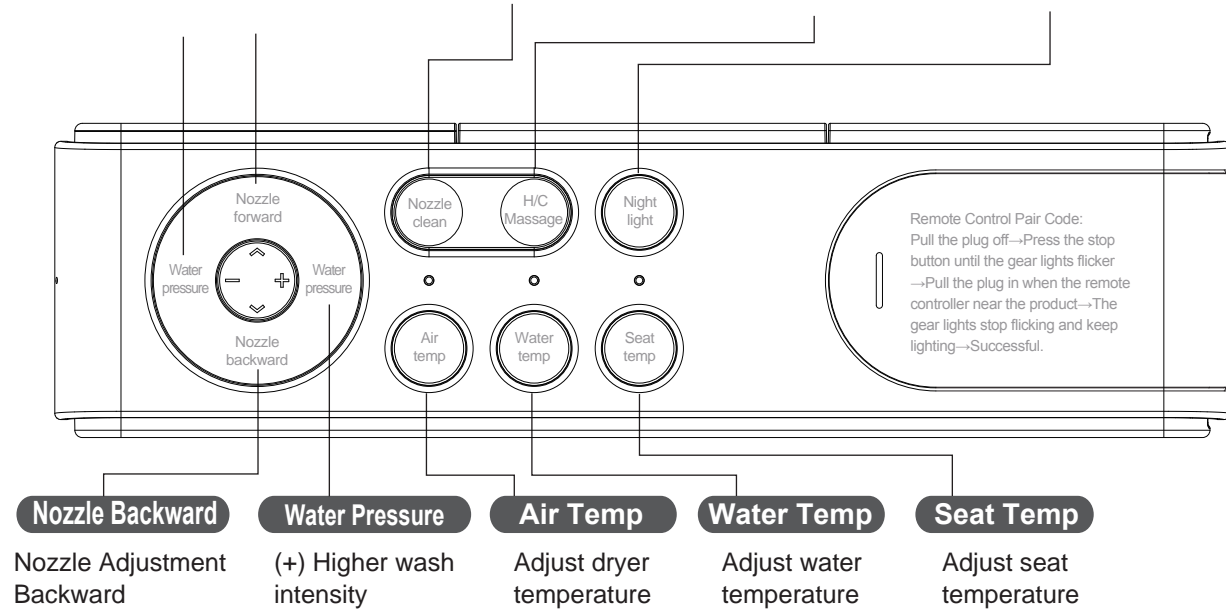
Water Pressure (-) Lower wash intensity

Nozzle Forward Nozzle is adjustable: 5 positions

Nozzle Clean For manual nozzle cleaning

H/C Massage with hot or cold water

Night Light Night light: ON/OFF



Safety Warnings

Please read thoroughly

First of all, thank you for purchasing our product. To ensure proper and safe use of this product, carefully read this section prior to any usage. Afterwards, store this manual in a safe place for any needed future reference.

The hazards and warnings listed herein are important to our user's safety. Significant consequences may result from failure to heed warnings. The company will not be held liable for any injuries to the user and damages to the product due to improper usage and/or failure to heed safety warnings.

Explanation of Terms and Symbols

- Warning** . . . [Indicates that harm may result in case of negligence, and the user should adhere to warning symbols of this sign.]
- Attention** . . . [Indicates that human injury or property loss may be result in case of erroneous operation due to negligence of this sign.]
- [Note: Used together with the above "Warning" and "Attention", all precautions must be strictly followed.]
- [Any action marked with this symbol is prohibited]
- [Under no circumstance, is the dismantling of this product allowed unless otherwise approved by Pearl®.]
- [Keep product away from wet areas. Including but not limited to baths, showers, sinks and humid areas.]
- 「Do not touch!」
- [Do not touch with wet hands!]
- 「Keep away from any extreme heat or fire!」
- 「Operate only as instructed!」
- 「Pull out the power plug!」
- 「Protective grounding」

Warning

This product must be reliably grounded; otherwise a fault or short circuit may result in electric shock. If unsure, please consult a licensed electrician.



Do not put any actively burning objects near, on or inside the smart toilet.



※Risk of fire.

Do not touch, insert or pull out the power plug without ensuring the surrounding area and your hands are dry.



※Risk of electric shock.

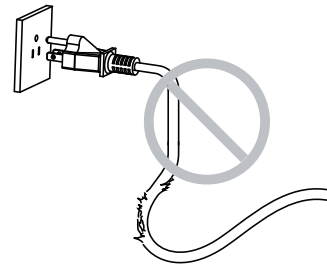
Do not touch the power plug during thunderstorms, failure to do so may lead to injury or fault in the product.



Never use power sockets or power plugs that are damaged or in poor condition.



※Risk of fire and/or electric shock.



If the wall plug or coverplate is damaged or loose, to avoid any harm, be sure to unplug the power gently, turn off your water supply and consult a licensed electrician to ensure the power source is stable.



※Risk of fire or electric shock.

Regularly pull out the power plug and wipe off any dust on the power plug using a clean dry cloth.

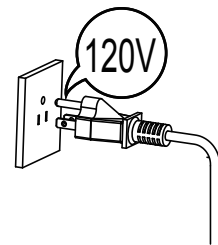


※Risk of fire.

The power socket in use should be within the specified range (AC120V).



※Risk of fire and/or electric shock.



Any person with a disability, the elderly, and children, should be using this product with the supervision of another individual.



※Be advised that sitting on the heated seat for an extended amount of time may result in burns.

Do not pull, damage, bend, twist, stretch, roll, bundle, clamp or squeeze the power cable. Do not place anything on power cable.



※Risk of fire and/or electric shock

If the power cord is damaged, to prevent any injuries or accidents, it should be replaced by a professional.



※Risk of fire and/or electric shock

This product is not a toy. Advise children not to play with product.



※Risk of injury.

Do not dismantle, repair or alter this product on your own.



Consult a licensed electrician for further advice.

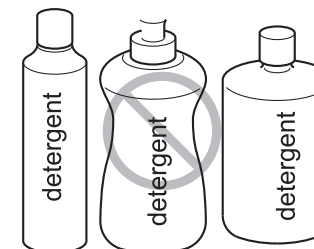
※Risk of fire, electric shock, and/or other accident that may lead to injury.

Warning

For cleaning or maintenance of plastic parts, do not use any harsh cleaning agents. (These include, but are not limited to products such as: concentrated sulfuric acid, concentrated nitric acid, glacial acetic acid, carbon tetrachloride, chloroform, acetone, butanone, benzene, methylbenzene, phenol, methylphenol, dimethylformamide, methyl ether, acetate, 40% nitric acid, thick salt acid, 95% alcohol, gasoline, kerosene or brake oil, etc) The list should be sound.



※Risk of damaging parts that can lead to accidents and injuries



Do not use untreated water, polluted water, or water meant for industrial uses.



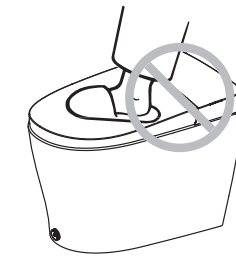
※Risk of urocystitis or dermatitis.

Untreated water may cause corrosion of the inner workings of the unit, and may cause electrical shocks or fire.

Do not apply any force to the unit's seat and lid. Do not stand on the lid or open or close the lid and the seat forcefully.



※This may result in product damage and/or user injury.



Do not add water or detergent into the unit or on to the wireless remote. Do not soak the product with water or cleaner.

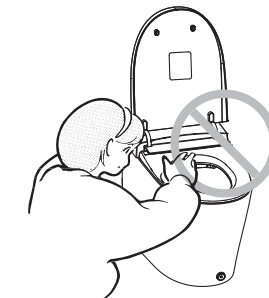


※Risk of fire and/or electric shock.

Do not place your hand or any other object into the dryer trap, and do not cover the dryer and **dryer vent** during product use.



※Risk of fire, electric shock, and/or other accident that may lead to user injury.



Do not install product in a humid environment or sauna.



Do not spray or soak this product with any form of liquid to prevent any damage to the product.

※Risk of fire and/or electric shock.



Do not spray urine at the **dryer vent**.



※Risk of electric shock.

Read the following for proper battery usage.

- Properly install the battery according to its correct polarity.
- Remove the battery if the unit will not be in use for an extended period of time.
- Replace the battery before it reaches the battery's end of life. Failure to do so may result in interrupted control signals
- Cover the battery with tape before disposal.



※This will prevent battery fluid leaks that may cause fire and/or other damages.

Warning

- Place the battery out of the reach of children and infants.
- ※ If battery is swallowed, contact a doctor immediately.
- If battery fluid leaks onto user, quickly rinse off area using water.
- If battery fluid gets into eyes, do not rub your eyes. Quickly rinse it with water and consult a doctor immediately.
- ※ May result in vision impairment or blindness.

When the battery is in use, do not do the following operations.

- Do not hold or store with metal objects (such as a necklace or a watch).
- Do not mix new and old batteries.
- Do not pull battery apart or throw battery into water and/or fire. Battery fluids may cause a fire.
- Ensure proper battery disposal match with local laws, failure to do so may result in injury or fine.

Attention

Do not use the heated seat or dryer on warm setting for an extended amount of time.
※ Extended use may result in burns.

While using this product, make sure that the skin is in contact with the seat sensor area. Otherwise, product may not operate correctly.
※ Children and smaller individuals may have trouble staying in contact with sensor area.

Do not spray urine in the direction of the bidet nozzle.
※ Doing so may result in blockage to the bidet nozzles and cleaning area.

Do not use old hose components from other products. Use the one provided with your product. Anything else connected to the older hose may need to be replaced.

※ Risk of water leakage and/or property loss/damage.

In case of sudden power failure, remove the power plug and close the water supply angle valve to prevent water leakage.
※ Risk of water leakage and/or property loss/damage.

Avoid direct sunlight or heat.

※ Risk of product discoloration.

Do not supply electricity with an external switch. I.e: connecting the universal part to a timer switch.
※ Run the risk of issues caused by improperly resetting the thermal breaker.

Before replacing the filter, close the water supply angle valve. When installing the replacement filter, make sure the filter is securely attached.
※ Risk of water leak

Pull out the power plug when the product is in disuse for an extended amount of time. Make sure to shut off the water and remove the water inside the product.
※ Risk of fire, leaks, and product damage.

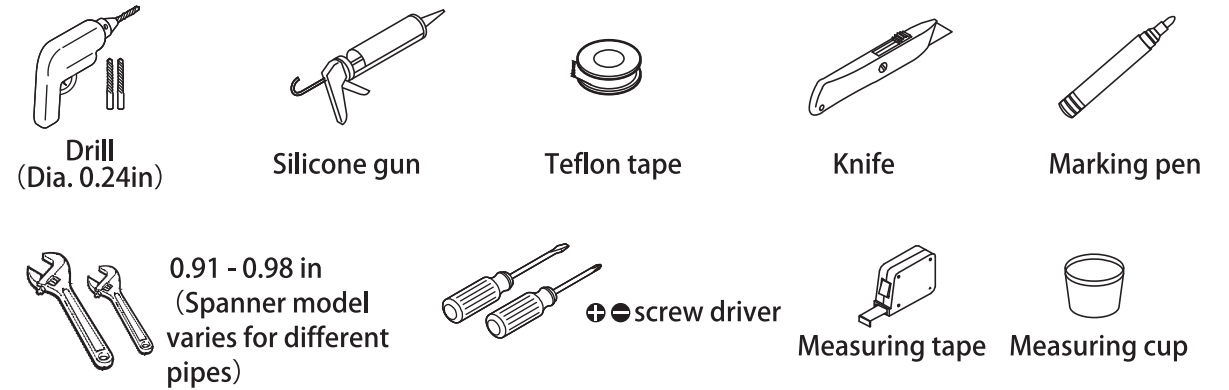
When storing or transporting the product, especially in cold conditions, first ensure all water is removed from the unit. Remaining water in the unit may freeze, and cause cracks or damage.
※ Risk of fire, leaks, and product damage.

Installation

Tools required for installation

Required tools

Required tools for installation. Please have these tools prepared prior to installation.



Item list (Confirm that all below items are inside the box)

Smart Toilet (1 set)	T-valve (1 pc)	Remote controller (1 pc Remote Control with holder)
Two AAA Battery	Wax ring (1 pc)	Installation Book & User Manual
Floor flange (1 pc)	Toilet bolt (2 pcs)	Mounting bracket (2 pcs)
Washer (8 pcs)	Hexagon bolt (4 pcs)	bolt (4 pcs)
Conversion Nut V2 (2 pcs)	Conversion Nut V1 (2 pcs)	Nylon sleeve (8 pcs)
		Installation Template (1 pc)

- ※ Please confirm all items on the Item List above are included in your package. If there are any missing parts, please contact our support team prior to installation.
- ※ Illustrations above are for reference only, actual objects may look different in person.
- ※ We provide you with 2 sets of bolts (4 pcs each) and 2 sets of conversion nuts (2 pcs each). Please select according to your plumbing requirements.

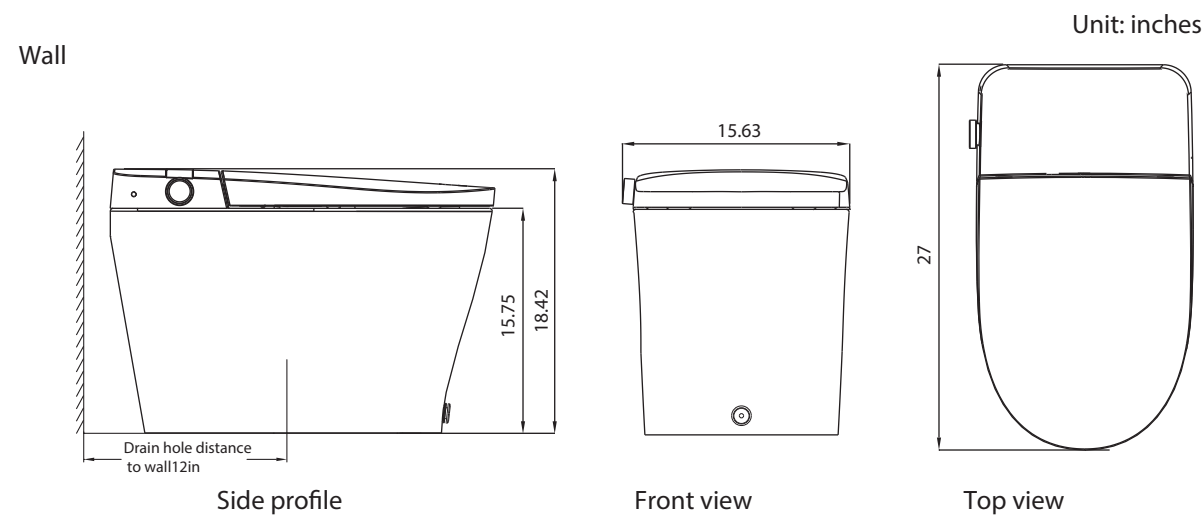
Before you Install

Water pressure check, dimensional drawing

Checking your water supply

Minimum water pressure required for the toilet to function is 0.08MPA. If the water pressure is below 0.08MPA, the toilet will not function as intended. Maximum water pressure this toilet can be used with is 0.75MPA.

Confirm product dimensions fit in installation space

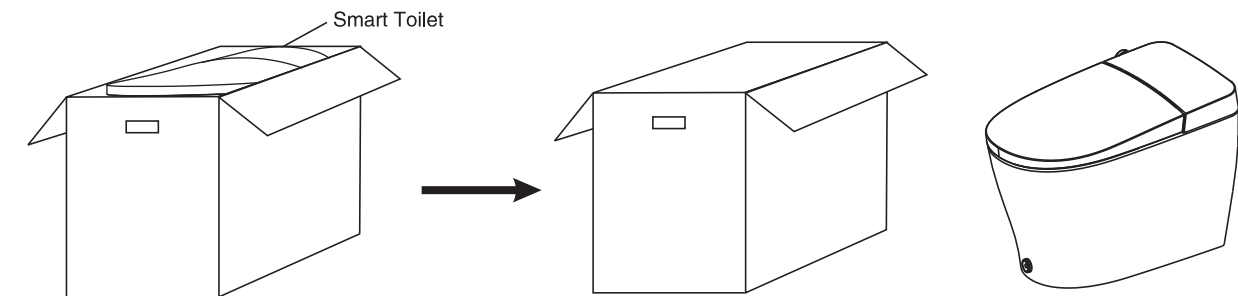


Installing your product

Install your unit using the following steps

1 Open the box right side up

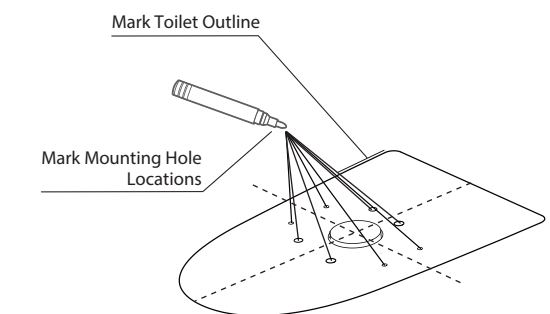
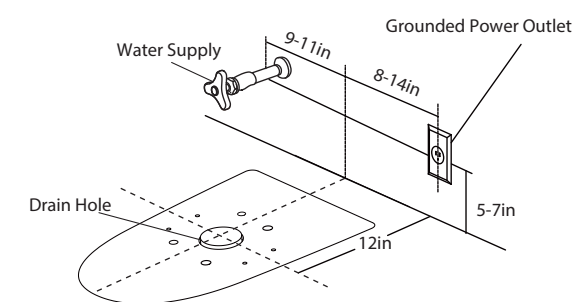
Remove the accessories first, then remove the unit from the top, as shown in the diagrams below.



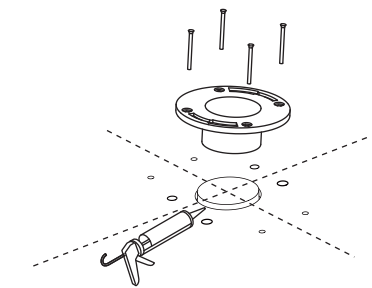
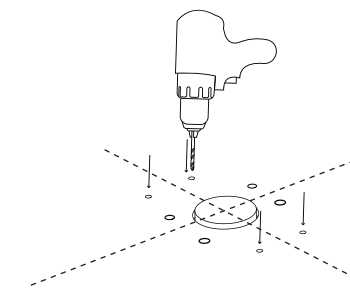
2 Mark your drainage hole with a cross

1. place the installation template on the ground while being sure to properly align the drain hole.

2. Mark eight mounting holes on the ground with a pencil. Also outline the template edge to mark toilet placement later on.

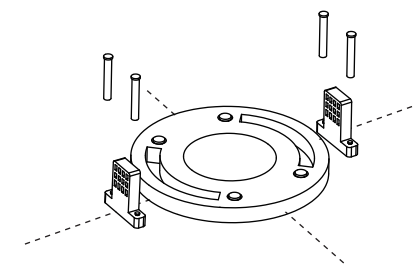


3 Remove the installation template and drill eight holes at the marked positions.



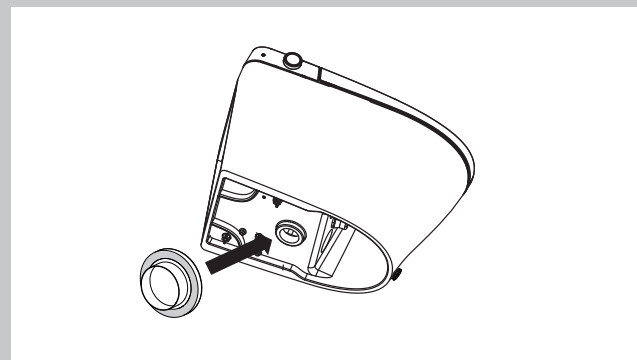
4. Apply an even ring of sealant around the drain opening. Then, place the flange over the drain hole and bolt to the ground.

5. Place mounting brackets on the drain hole.

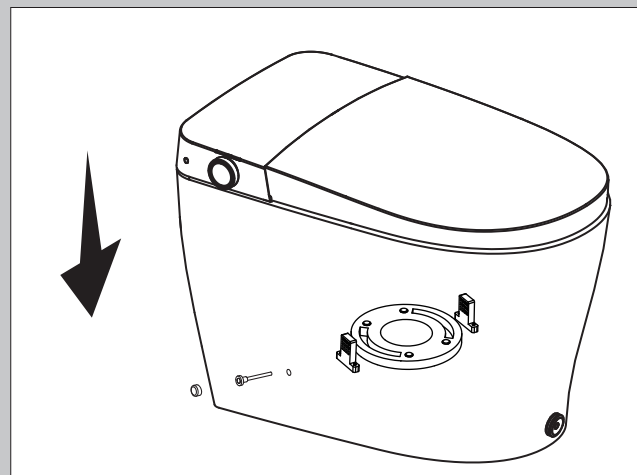


4 Install the ceramic toilet body, water supply hose and water filter

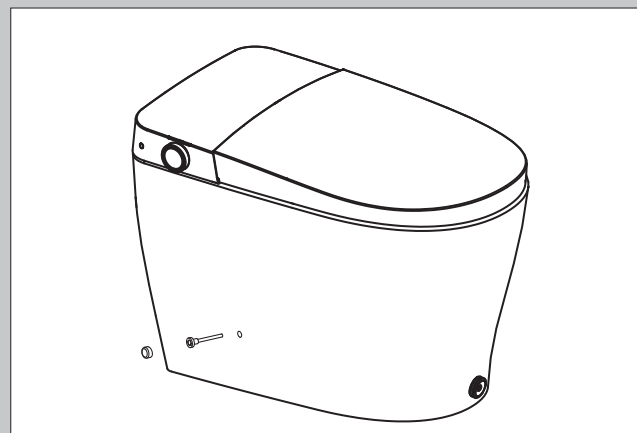
1. Place the wax ring on the drain hole at the bottom of the toilet body.



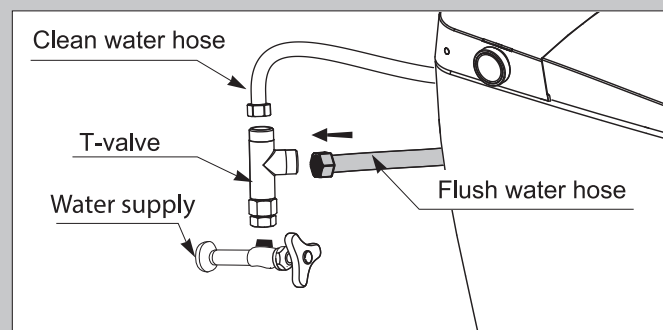
2. Align the drain hole on the toilet body with the drain hole on the ground, press down firmly to ensure the wax ring is fully in contact with the ground to form a seal.



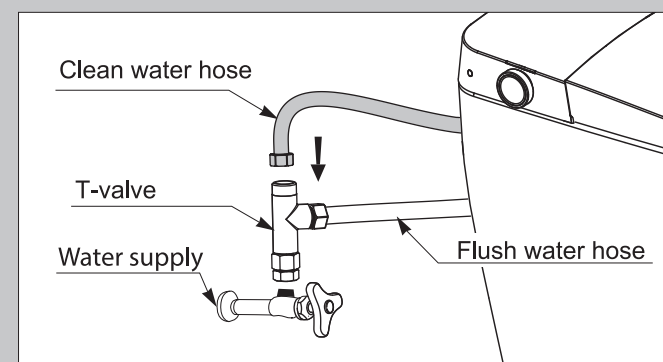
3. First, secure both sides of the ceramic toilet body using two bolts, then install the cap.



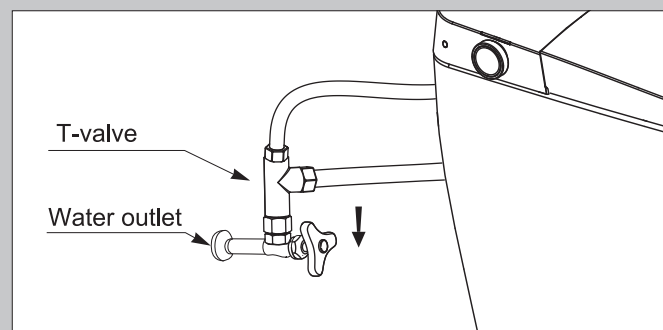
4. Attach the flush water hose to the T-valve and tighten.



5. Attach the clean water hose to the T-valve and tighten.



6. Connect the T-valve to the water supply and tighten. Use gasket to prevent water leakage.



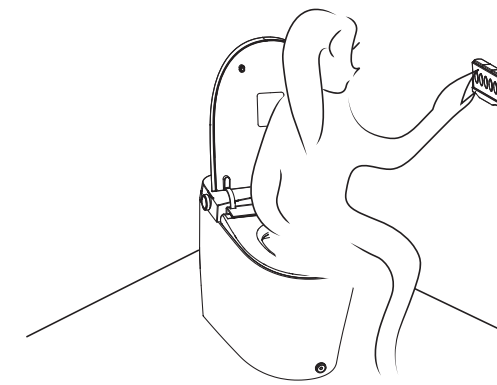
7. Finish installation.

5 Installing the remote

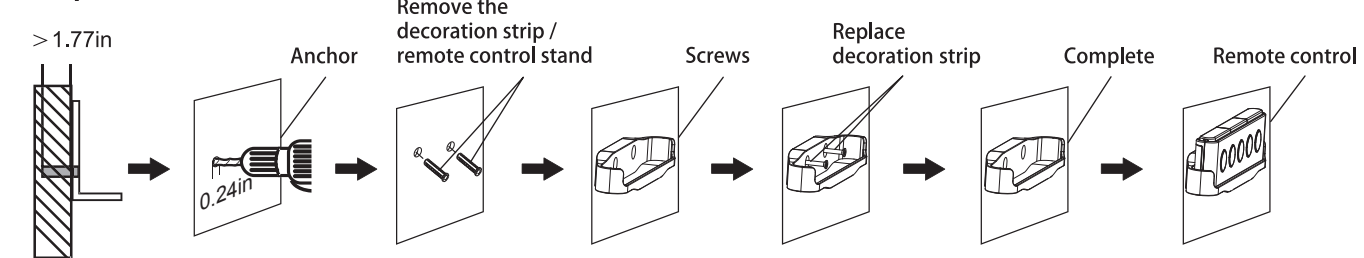
- Using the remote holder as a guide, drill two 6mm(0.24 inches) diameter holes on the wall (bout 1.77 inches deep)
- Knock an anchor into each drilled hole with a hammer.
- Secure the remote holder with anchors
- Use the screws to secure the holder to the wall.
- On the remote controller, remove the rear battery cover to install batteries, then reinsert cover.
- Once finished, remote is ready to be placed in its holder.

Detailed steps shown in the diagram below:

- ※ Please use proper mounting tools for special wall surfaces (such as wood, HDF, etc.)
- ※ The remote control holder should be installed away from the bidet's spray trajectory.
- ※ The remote control holder should be installed within reach when seated on unit.
- ※ Make sure there is nothing to block the transmission between the toilet and its remote.

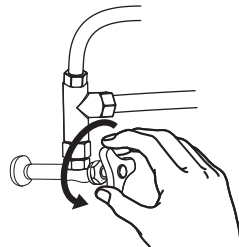


Steps:



6 Testing water flow

1. Open the water supply angle valve to maximum as shown in the figure.

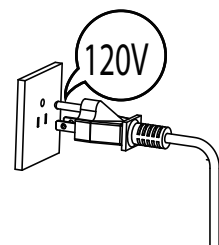


2. Confirm that there are no water leaks at any of the connecting parts.

If water leaks, turn off water supply and unfasten the nuts. Reinstall all connections securely.

7 Connecting power

1. Plug into the grounded power source
2. Plug in AC 120V power plug.



(1). Check to see if the power is on.
(2). Press the side power button, confirm the toilet is power on.

Testing the product

(Test whether the functions of the buttons on the remote controller and the rotating dial on the side of the toilet body work correctly.)

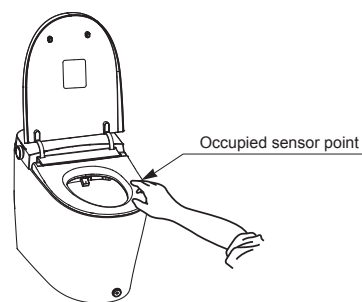
● Are all the functions working properly?

Rear Wash, Front Wash (Including water pressure & nozzle position adjustment), Heated Dryer, Water & Seat temperature Adjustment, Nozzle cleaning, Remote control. All functions listed above should be tested.

● Checking Washing Nozzles

Please use your hand to hold the seat sensor area, turn the knob forward or press the "Rear" button on the remote controller, and use your hand to cover the front of the nozzle to block the flow of wash water to avoid spraying water on your body or clothing.

(Follow these same steps for the front nozzle)

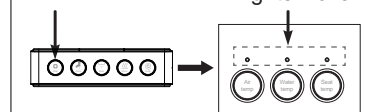


Connecting your remote control

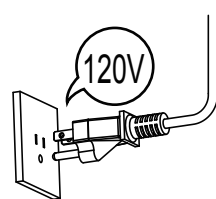
The toilet unit is paired to the remote control before it leaves the factory. If the remote control becomes disconnected, please reconnect using the following instructions.

1. Unplug the product from the power socket. Press and hold the Stop button for a few seconds, until the lights on the remote control start to flicker.

Press the stop button for few seconds Remote lights flicker.

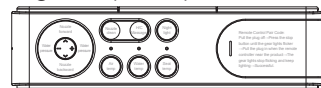


2. Bring the remote control close to the toilet unit, then insert power plug into the power socket.



3. The remote lights stop flickering, and remain lit (in red).

Remote lights remain lighted (in red)

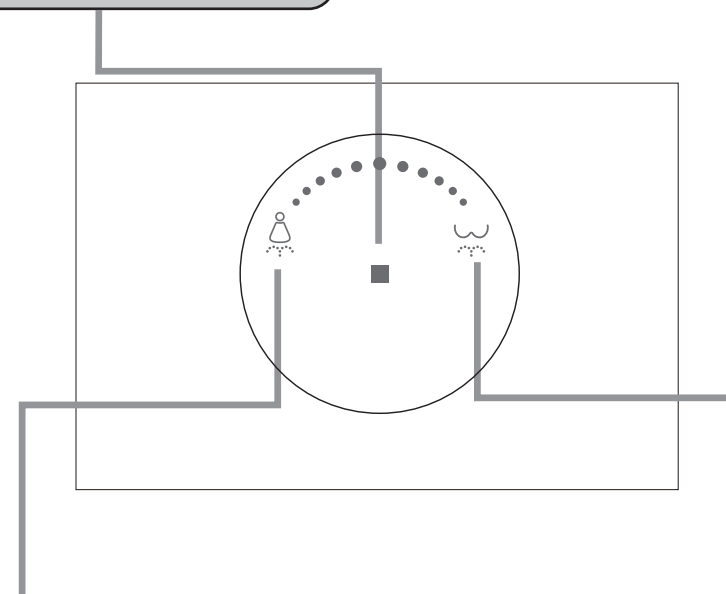


4. The remote control and toilet unit are now reconnected.

Power/Stop

In Standby mode: Press and hold for 3s to turn on the unit.

When turned on: If using rear wash, front wash or drying mode, a short button press will stop the wash/dryer. Pressing and holding the button for 3s will shut down the unit.



Front

Standby mode for front wash when seated

Rotate dial backwards 45 ° to start the front wash cycle.
Default setting: oscillating front wash.
Operation cycle: front wash for 1.5 minutes + drying for 4 minutes + one flush.
During front washing, turn the knob to adjust water pressure.
During drying, turn the knob to adjust the wind speed.

Rear

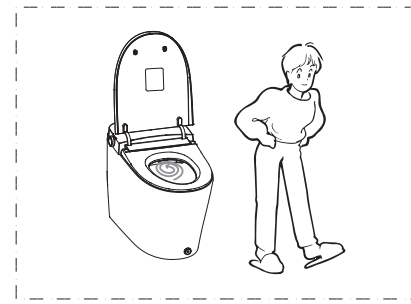
Standby mode for rear wash when seated

Rotate dial forwards 45 ° to start the rear wash cycle.
Default setting: oscillating rear wash.
Operation cycle: rear wash for 1.5 minutes + drying for 4 minutes + one flush.
During rear washing, turn the knob to adjust water pressure.
During drying, turn the knob to adjust the wind speed.

■ Auto flush

When the seat sensor no longer detects a user, it will automatically flush.

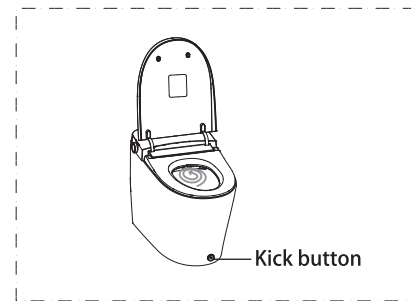
The toilet will only flush once.



■ Kick flush

Tap the "Kick Button" gently with your foot for easy manual flushing.

During flushing, the function of "Rear wash", "Front wash" cannot be used.

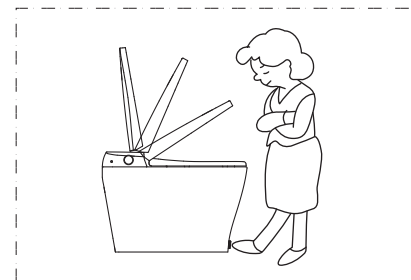


■ Kick controlled seat/lid

Tap the "Kick Button" gently with your foot to raise your toilet seat/lid.

Tap the kick button once: Lid opens
Tap the kick button twice: Seat raises
Tap the kick button three times: Seat and Lid will close and toilet will flush.

Rear/front wash is not available during flushing.

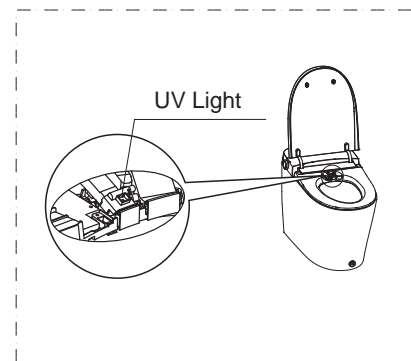


■ UV Sterilization

Sterilization at the nozzle.

10s after the user leaves the seat, UV sterilization starts automatically, and lasts for 3 minutes. During this time, either press the "stop" button or activate the seat sensor to stop sterilization.

Ultraviolet lamp device is installed on smart toilet.



■ Dryer

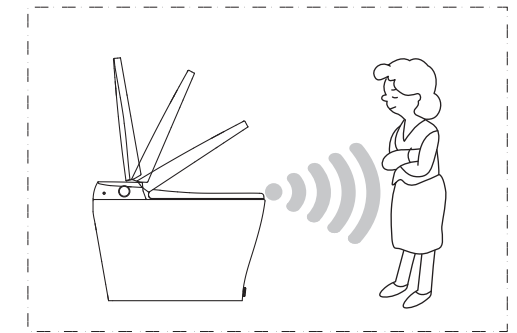
Dries front and rear.

Press the "Dryer" button once to start.
Press the "Dryer" button again to adjust the intensity of the air flow (there are 3 intensities).

■ Motion sensor

User approaches, approximately 1 meter or closer to toilet.

The toilet seat will open automatically.



■ Auto deodorization

The function will operate automatically.

The deodorization feature activates automatically while the seat is occupied. Deodorization stops 3 minutes after the user leaves the seat.



■ User-friendly Design

Soft-closing lid/seat

Extends the life of the product by letting you close the toilet lid/seat silently.

Memory mode

On / Off: unit restores to last "memory" settings after normal Off / On.

Note, When restarting after a power failure: The unit settings will restore to the default mid range for water temp, water pressure, seat temp and nozzle position. Night light defaults to "On" upon restart."

Maintenance

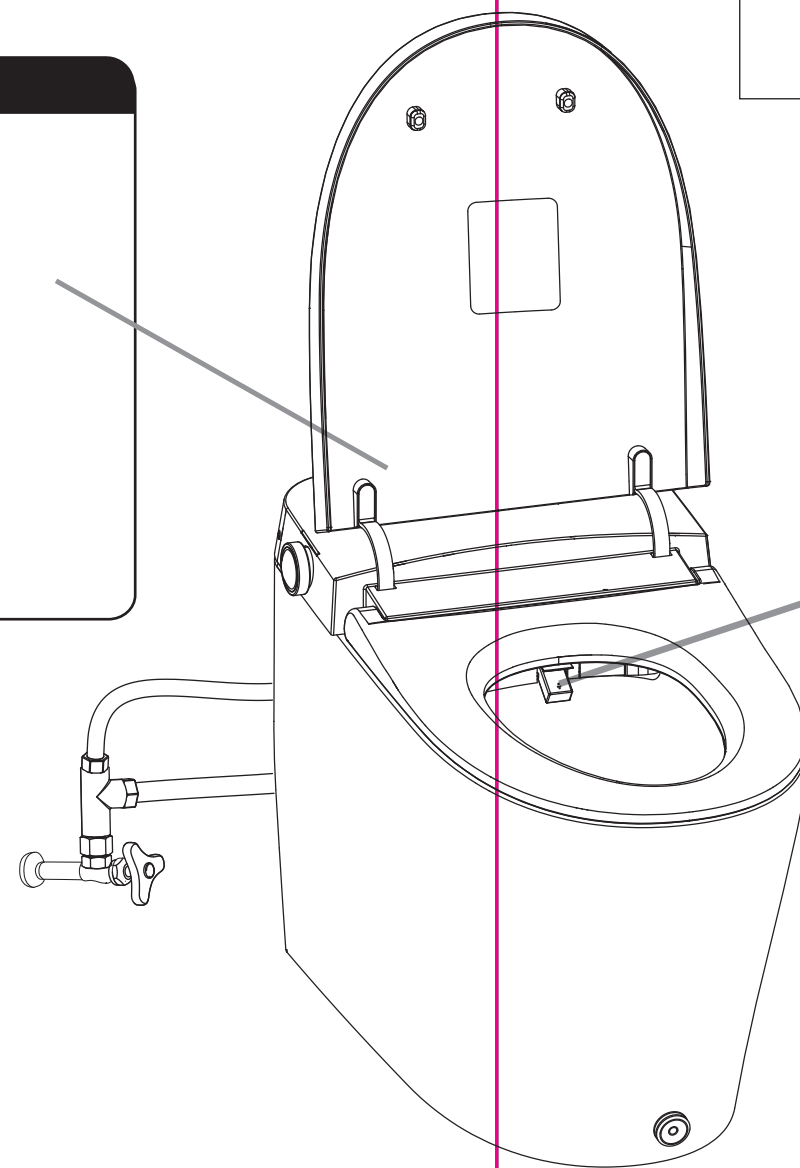
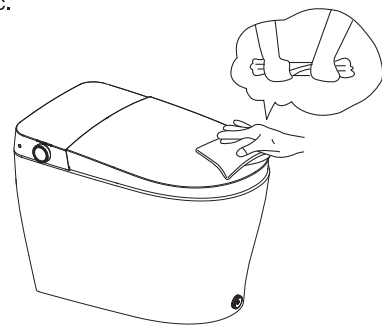
To keep this product working smoothly, regular maintenance is required.

Note

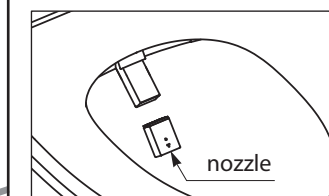
- Turn off all power and water supply to the unit before starting any maintenance.
- Do not directly wash the product with water. It is prohibited.

Maintenance of unit surfaces and ceramic toilet body

- Wipe dust or stains with a soft wet cloth
- A wet soft brush, cloth or sponge may be used to clean the ceramic area
- ※ Do not use abrasive cleaning solutions, such as alcohol, bleach, paint thinner, cresol, benzene, gasoline, etc.



Maintenance of the nozzle



When the seat is not occupied, press the "Nozzle Clean" button on the remote control. The nozzle will extend. Proceed to clean the exposed nozzle with a soft bristled toothbrush.

Do not forcefully hold the nozzle, otherwise it may break.
Please change the nozzle spout if it is blocked.

WARNING

Do not spray water or detergents on the toilet, remote control or the power cord. Doing so may cause electric shock or fire.



Maintenance during Winter Season

To prevent freeze damage during winter conditions, measures must be taken to remove water from the unit if it will be stored or unused for long periods.

Note

- Before connecting the product to the water supply and electrical outlet, allow it to defrost for 30 mins in a warm indoor environment.
- In cases of extreme cold/freezing/the nozzle is frozen in place, wrap the water supply line with a warm towel. Never pour hot water into or on the toilet, and never use a hot dryer directly on the product.

Troubleshooting

Experiencing issues with your product?

If the user should run into any issues, please consult the troubleshooting guide below. If problem persists, please contact a professional or contact support.

Power button

Issue	Possible Cause	Solutions
The toilet is not working	Blackout/loose socket	Check the power cord.
	power off (Power light on toilet's Side Control Panel is not on)	Push the power button until the indication light on
	Electrical Leak	Unplug the power cord, re - connect, and power on. If it is still not working, please unplug again and contact a licensed electrician.

Wash functions

Issue	Possible Cause	Solutions
Bidet nozzle does not spray	No water supply	Wait for water supply to restore
	Water valve is switched off	Switch on the valve
	Water hose is twisted	Untangle hose
Water is weak	Water pressure is set to low	Raise water pressure using remote
Spray is out of control	Operational failure	Unplug the power, and restart after 1 min
Water is not warm	Water temp is set to low	Turn up the water temperature using remote
Water leak	Check the water supply system	Call a licensed plumber
Wash function does not active	Toilet lid may not be properly pushed down.	Check for anything wedged between the seat. Push seat down all the way
	Sensor itself may be broken	Contact support

Dryer

Issue	Possible Cause	Solutions
Dryer not warm	Dryer temp is set to low	Using the remote, turn up the dryer temperature.
	Dryer is broken	Contact support

Heated seat

Issue	Possible Cause	Solutions
Seat temp not warm	Seat temp is set to low	Using the remote, turn up the seat temperature.

Remote Control

Issue	Possible Cause	Solutions
Water temperature indicator light starts flashing blue	Battery is low.	Replace the battery
Remote control failure	Check the remote control for water	Wipe away water droplets with a dry cloth

Toilet Unit

Issue	Possible Cause	Solutions
Weak Flush	Water pressure is low	Check the water source volume (less than 0.79 gal in 10 second) Use a water pump to enforce the water
	Water hose is stuck or twisted	Check water hose to see if it ' s twisted or bent in
Siphon jet at bottom of toilet does not work	drainage pipe is leaking	Call a licensed plumber
	S - trap pipe line is stuck	Use a dogging tool
	Flush valve is broken	Call a licensed plumber

Soft - Closing Feature

Issue	Troubleshooting Checklist	Solutions
Soft - close feature on seat/lid does not work	Toilet seat/lid damper is broken	Contact support
Auto open/close lid/ seat failure	Auto damper is broken	1. Unplug the power cord and re - connect after 1 min 2. If still not working, please contact support

※ To contact support please fill out a form on our website www.lifewithpearl.com

Specifications

Power rating		120V~
Frequency		60Hz
Rated power input		1050W(When inlet water temp in 15
Seat and dryer temperature range		39.4°F~104°F
Source water temperature range		39.4°F~95°F
Water supply type		DN15(G1/2)
Water Inlet	Minimum pressure	0.08MPa, and also make sure the water flow is above 2.3L/10s
	Maximum pressure	0.75MPa(in a static condition)
Toilet	Flush type	Tornado flush
	Rough - in	rough - in 12in
Nozzle	Heating method	Transient heating
	Temp of warm water	Off/about 93.2°F~102.2°F (4 levels)
	Safety devices	Thermostat series, thermal fuse, flow detection device
Warm dryer	Warm dryer temp	Off/about 95°F~131°F (4 levels)
	Wind speed	Above 4m/s (3 levels regulations)
	Safety devices	Bimetal thermostat series, thermal fuse
Heated toilet seat	Heated toilet seat temp	Off/about 93.2°F~102.2°F (4 levels)
	Safety devices	Thermal fuse
Remote control	Dimension	7.48in(L) * 2.01in(W) * 0.87in(H)
	Battery	Two AAA Batteries
Power cable length		Appx. 47.2in
Product dimension		27in(L) * 15.63in(W) * 18.42in(H)